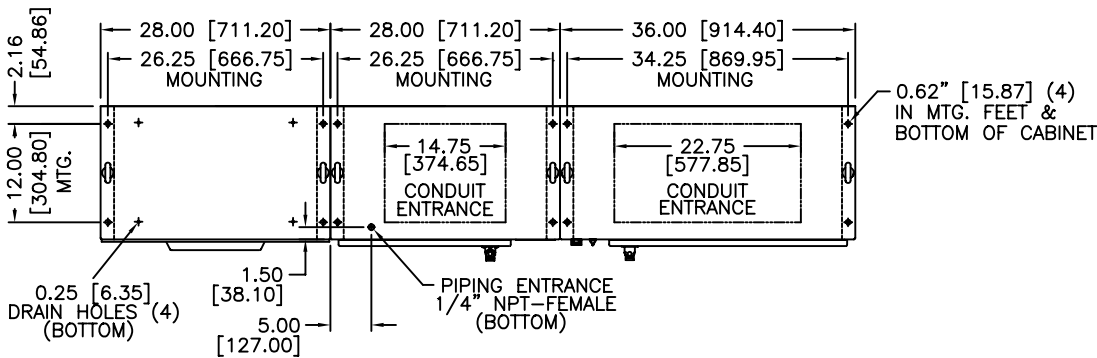
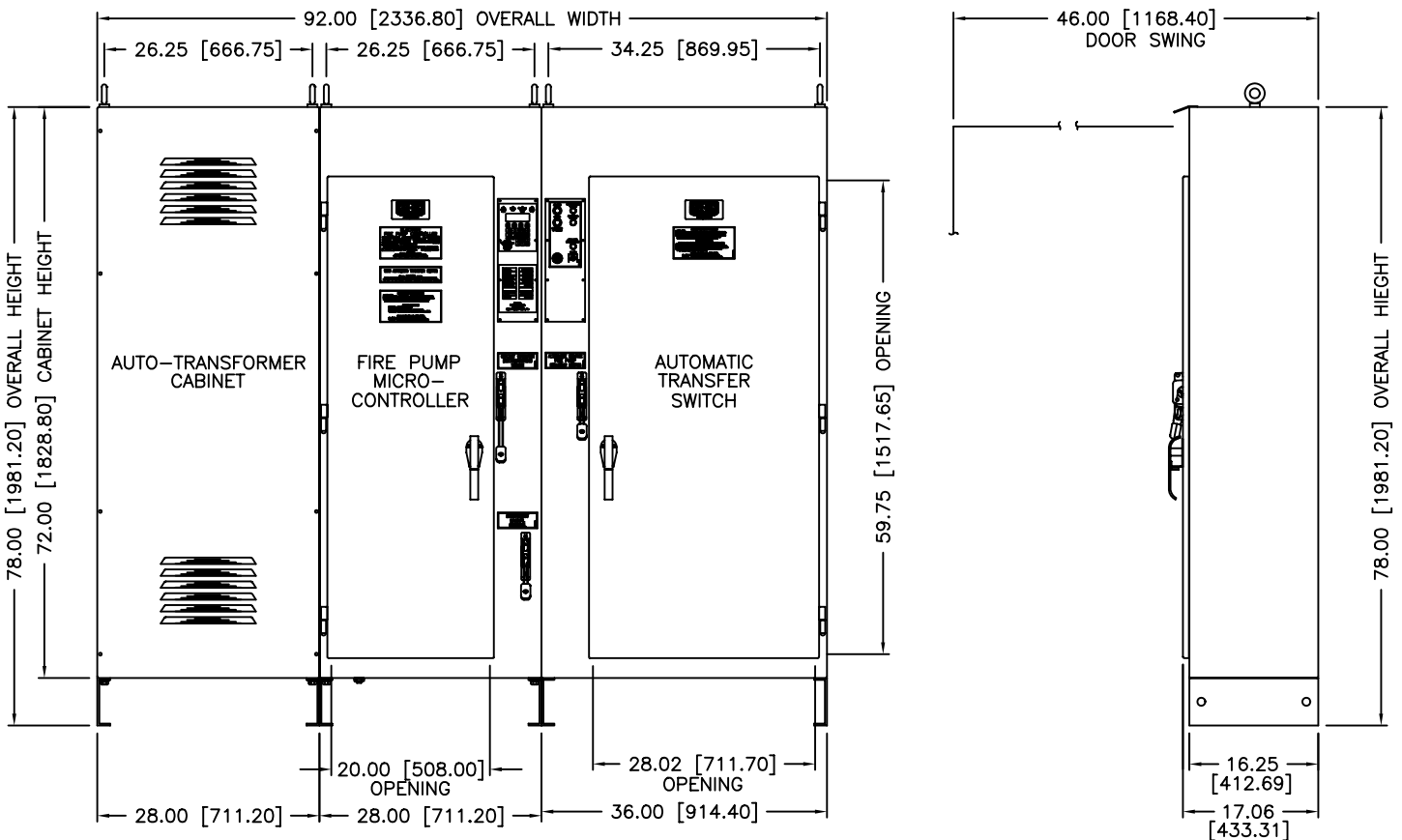


Dimensions and Data
**Combination Full Service Fire Pump Controller
 And LX-450 Automatic Transfer Switch
 Auto-Transformer Type**

LXi-2300



DIMENSIONS SUBJECT TO CHANGE WITHOUT NOTICE. ALWAYS CONSULT FACTORY TO CONFIRM CURRENT INFORMATION.



RATINGS	HP	VOLTS	WITHSTAND	ENCLOSURE TYPE
ORDER INFORMATION	75-150	200-208v.	100,000 A (STD)	NEMA 2 (STD.)
	75-200	220-240v.		NEMA 3R
	150-300	380-415v.	150,000 A	NEMA 12
	200-400	440-480v.		NEMA 4 (NOT SHOWN *)
	200-400	550-600v.	200,000 A	NEMA 4X (NOT SHOWN *)
SELECT	HP	VOLTS	WITHSTAND	ENCLOSURE TYPE
	<input type="text"/>	<input type="text"/>	<input type="text"/>	<input type="text"/>

NOTES:

- ENCLOSURE MADE FROM 11 GA. STEEL
- FINISH: RED EPOXY-POLYESTER
- NO KNOCKOUTS
- BOTTOM or TOP CONDUIT ENTRY
- PROTECT INTERNAL EQUIPMENT FROM DRILLING CHIPS
- FLOOR MOUNTING
- "[]" INDICATES METRIC (mm) DIMENSIONS
- *-SAME OUTSIDE DIMENSIONS



HUBBELL / INDUSTRIAL CONTROLS, INC.
 4301 Cheyenne Drive, Archdale, N.C. 27263

DATE:	REV.
11/04/2002	-
DRAWING NUMBER:	
23CE0021	